

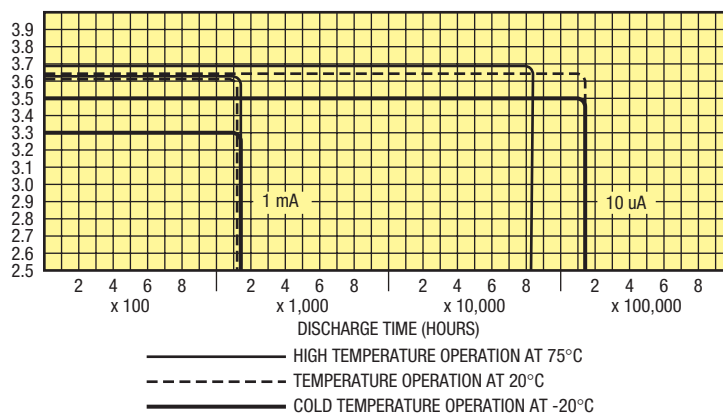
The powerful KEEPER II Magnum series includes the LTC-16M and LTC-15M series cells. These cells provide years of low-power drain, stand-by use or those demanding industrial, commercial and military applications where reliability is the primary concern. The low profile prismatic designs of the 15M and 16M cells, allow maximum board space utilization and are available with polarized PCB mount pins. Also available are battery configurations offering either high voltage (7.0 volts) or high capacity (3200 mAh) output. With these characteristics the KEEPER II Magnum series exhibits the same high quality performance that the entire KEEPER II line has demonstrated for over 20 years.



LTC-15M & 16M PRODUCT FEATURES

- Manufactured in the USA.
- Low profile, prismatic design.
- Stainless steel construction provides corrosion resistance, hermetic seal and structural integrity.
- Years of low rate continuous use.
- Stand-by use with 80% capacity retention after 15 years at room temperature.
- Highly efficient utilization of valuable board space.
- Wave solderable (limit solder bath exposure to a maximum of 5 seconds).
- High energy density compared to other chemistries.
- No charging circuits required.
- Higher cell voltage allows for fewer cells and high reliability.
- Flat discharge characteristics provide optimum voltage regulation.
- Non-pressurized system allow for high temperature usage.
- Ship unrestricted.
- Underwriters Laboratories recognized component.

TYPICAL LTC-16M DISCHARGE CHARACTERISTICS AT VARIED TEMPERATURES



DO YOU HAVE QUESTIONS

CONCERNING:

- What size battery you need?
- What is passivation and its effects?
- What is the maximum rate of this cell?
- Any other technical question?

If so, call our Engineers at (417) 659-9635 for detailed technical information.

Part Number	Voltage	Capacity (mAh)	Length (in.)	Width (in.)	Thickness (in.)	Weight (g)
LTC-15M-S3	3.5	1500	1.20	0.90	0.28	14.0
LTC-16M	3.5	1600	1.72	1.00	0.36	19.7
LTC-16M-S1	3.5	1600	0.90	0.27	1.50	16.0
* LTC-16M-MP-S2	3.5	3200	1.59	0.98	0.68	33.0
LTC-16M-MS-S2	7.0	1600	1.74	1.02	0.68	40.0
LTC-16M-SM-S1	3.5	1600	1.50	0.90	0.27	18.0

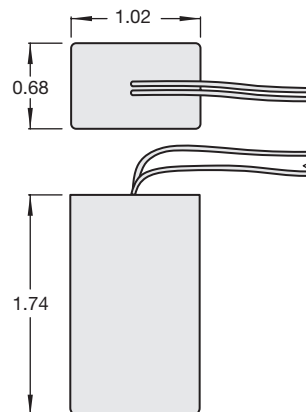
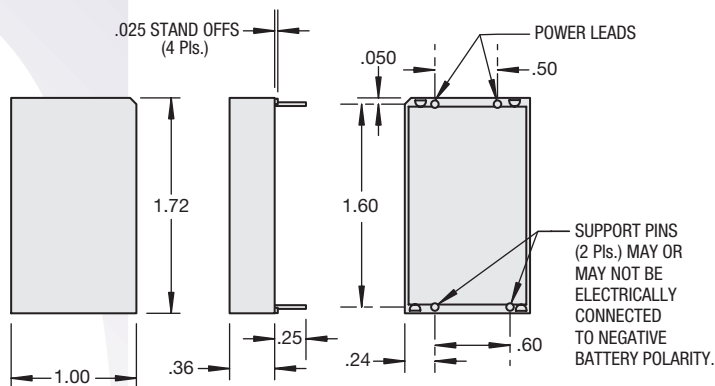
* Supplied with Molex connector

SPECIFICATIONS LTC-16M

Nominal Open Circuit Voltage, 25°C 3.67 volts
 Nominal Working Voltage, 25°C 3.5 volts
 Nominal Capacity (350 hr. rate), 25°C 1600 mAh
 Volume626 cu. in.
 Weight 19.7 GMS
 Operating Temperature -40°C to +95°C
 Case Material: Ryton™ module
 Terminal and Support Pins are .030" dia. (solder tinned)

SPECIFICATIONS LTC-16M-MS-S2

Nominal Open Circuit Voltage, 25°C 7.3 volts
 Nominal Working Voltage, 25°C 7.0 volts
 Nominal Capacity (350 hr. rate), 25°C 1600 mAh
 Volume 1.20 cu. in.
 Weight 40.0 GMS
 Operating Temperature -40°C to +95°C
 Case Material: Noryl



WE CAN DESIGN TO FIT ANY APPLICATION.

Our team of engineers can design any pin configuration required to fit your specialized application. If you don't see a battery configuration you need here, call us and we will begin working on a EPT part number just for you.

DISTRIBUTED LOCALLY BY:

EaglePicher™ Commercial Power Solutions
 Keeper® II

P.O. Box 47 • Joplin, MO 64802

Tel: (800) 201-0215 or (417) 659-9635 • Fax: (417) 626-2078

E-mail: inquiry.keeper@eaglepicher.com • Web site: www.eaglepicher.com